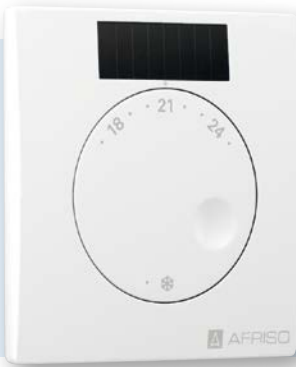
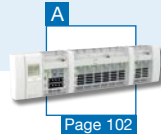


Room temperature sensor FT/FTF – wireless



- Extremely flat with a height of 12.5 mm
- Wireless operation (photovoltaic cell or battery)
- Flexible location-independent use anywhere in buildings



reddot award 2014
winner

5

Application Determination of the actual ambient temperature and adjustment of the reference value for the room temperature.

Description The room temperature sensor FT transmits the actual ambient temperature as well as the reference room temperature via the integrated EnOcean® wireless module to the single room temperature controller CosiTherm® Wireless or to the AFRISOhome gateway. The room temperature sensor FTF also transmits the current humidity value. The reference value for the room temperature is adjusted by means of the integrated rotary knob. The actual temperature in rooms with an underfloor heating system is compared to the reference temperature on an ongoing basis. If there is a difference, the single room temperature controller CosiTherm® Wireless adapts volume flows of the heating/cooling water via the thermal actuators of the manifold system. The energy required to send reference temperature and actual temperature values is generated by means of an integrated photovoltaic cell; it is also possible to use a standard battery. The AFRISOhome gateway transmits alarm messages and changes in temperature and/or humidity via WLAN, LAN and GSM to the person in charge (for example, to the owner, the facility manager, the janitor or other configured contacts); the message includes information on which room temperature sensor has signalled the change. The AFRISOhome gateway in conjunction with additional AFRISO products with EnOcean® wireless technology allows the user to configure a whole range of fully customisable, extensible applications.

Technical specifications

Operating temperature range

Ambient: -20/+60 °C
Storage: -20/+60 °C

Temperature adjustment range

8/30 °C

Temperature measurement

0/40 °C

Accuracy: ± 1 K

Humidity measurement

With room temperature sensor FTF only

Room humidity: 0/100 % r.h.

Accuracy: ± 5 % r.h.

Supply voltage

Energy harvesting (via photovoltaic cell) or type 1632 battery, DC 3 V (with daylight less than 200 lx)

Housing

Plastic housing PC

Colour: White, similar to RAL 9003

W x H x D: 78 x 82.5 x 12.5 mm

Weight: 43 g

Degree of protection: IP 30 (EN 60529)

EnOcean® wireless

Frequency: 868.3 MHz

Transmission

power: Max. 10 mW

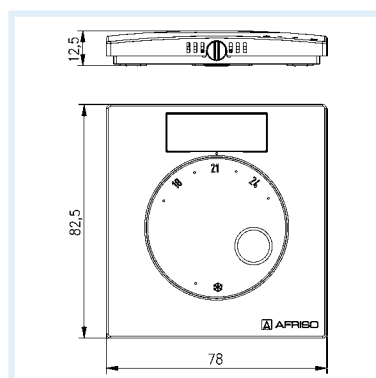
Range: 10 to 30 m (depending on room arrangement and materials in the building)

Scope of delivery

- Room temperature sensor FT/FTF
- 4 x adhesive dots
- Without battery

Necessary additional components

- CosiTherm® Wireless and/or
- AFRISOhome gateway



See operating instructions for detailed information on the range of the EnOcean® wireless module.

DG: L, PG: 4	Part no.	Price €
Room temperature sensor FT (temperature)	78111	93.00
Room temperature sensor FT, set of 3 (temperature)	78975	256.00
Room temperature sensor FTF (temperature, humidity)	78119	128.00
Room temperature sensor FTF, set of 3 (temperature, humidity)	78976	365.00